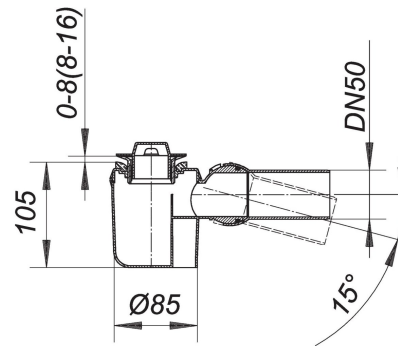


21. November 2019

**DALLMER****shower trap body TELOS, DN 50**

Product No. **150011**  
 EAN: 4001636150011  
 Discount group: 1



conforming to DIN EN 274  
 for shower trays with a 50 mm outlet

specification:  
 - outlet DN 50 horizontal, with ball-joint, adjustable 0 – 15 degrees

material:  
 polypropylene

The outlet connector can be supplied in ABS to suit British Standard sizes and PE-HD conforming to DIN EN 1519. Please enquire.

Flow rate tested to DIN EN 274  
 (with 15 mm water over grate)

	Norm	DALLMER
DN 50	0.4 l/s	0.72 l/s

Product No.	Description	Dimensions
150516	raised grid TELOS with stand pipe, ABS chromed	