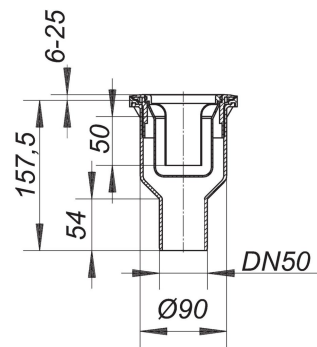


21. November 2019

**DALLMER****shower trap body ORIO V, DN 50**

Product No. **160027**  
 EAN: 4001636160027  
 Discount group: 1



conforming to DIN EN 274  
 for shower trays with a 90 mm outlet

specification:

- outlet DN 50 vertical
- trap insert, removable for cleaning
- temporary blanking plate/installation key

material:

polypropylene

The outlet connector can be supplied in ABS to suit British Standard sizes and PE-HD conforming to DIN EN 1519. Please enquire.

Other colours on request.

Flow rate tested to DIN EN 274  
 (with 15 mm water over grate)

	Norm	DALLMER
DN 50	0.4 l/s	0.6 l/s

Product No.	Description	Dimensions
160683	trap insert ORIO	

21. November 2019

**DALLMER**

---

<b>Product No.</b>	<b>Description</b>	<b>Dimensions</b>
515032	fire and sound-insulating collar - installation kit 3, DN 50	DN 50
160812	raised grid ORIO, ABS chromed	
160829	raised grid ORIO, ABS white	
160706	raised grid ORIO, stainless steel	
160720	raised grid ORIO, stainless steel, design football	