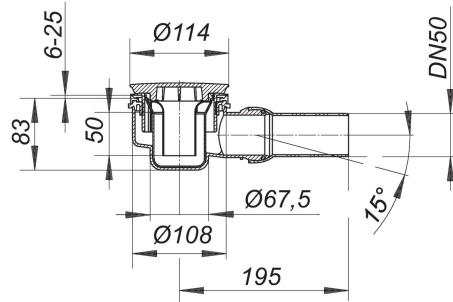


21. November 2019

DALLMER**shower trap ORIO, raised grid stainless steel, DN 50**

Product No. **160119**
 EAN: 4001636160119
 Discount group: 1



conforming to DIN EN 274
 with build-in height only 85 mm, for shower trays with a 90 mm outlet

specification:

- outlet DN 50 horizontal, with ball-joint, adjustable 0 – 15 degrees
- trap insert, removable for cleaning
- temporary blanking plate/installation key

material:

trap polypropylene, raised grid stainless steel or ABS chromed

The outlet connector can be supplied in ABS to suit British Standard sizes and PE-HD conforming to DIN EN 1519. Please enquire.

Other colours on request.

Flow rate tested to DIN EN 274
 (with 15 mm water over grate)

	Norm	DALLMER
DN 50	0.4 l/s	0.54 l/s

Product No.	Description	Dimensions
160706	raised grid ORIO, stainless steel	
160683	trap insert ORIO	