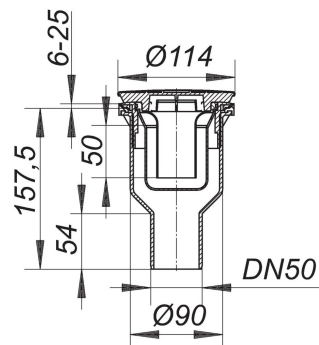


21. November 2019

**DALLMER****shower trap ORIO V, vertical, raised grid stainless steel, DN 50**

Product No. **160218**  
 EAN: 4001636160218  
 Discount group: 1



conforming to DIN EN 274  
 for shower trays with a 90 mm outlet

specification:

- outlet DN 50 vertical
- trap insert, removable for cleaning
- temporary blanking plate/installation key

material:

trap polypropylene, raised grid stainless steel or ABS chromed

The outlet connector can be supplied in ABS to suit British Standard sizes and PE-HD conforming to DIN EN 1519. Please enquire.

Other colours on request.

Flow rate tested to DIN EN 274  
 (with 15 mm water over grate)

	Norm	DALLMER
DN 50	0.4 l/s	0.6 l/s

Product No.	Description	Dimensions
160683	trap insert ORIO	

21. November 2019

**DALLMER**

---

<b>Product No.</b>	<b>Description</b>	<b>Dimensions</b>
515032	fire and sound-insulating collar - installation kit 3, DN 50	DN 50