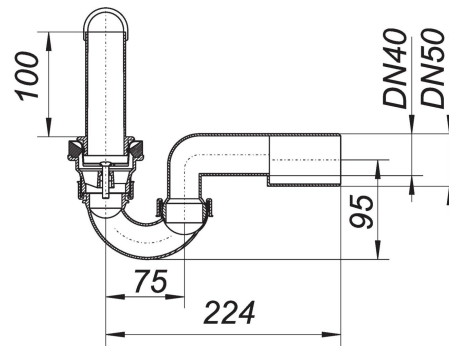


21. November 2019

DALLMER**stand pipe trap type 218 KSCR, 1 1/2" x DN 40/DN 50**

Product No. **170620**
 EAN: 4001636170620
 Discount group: 1



conforming to DIN EN 274

specification:

- adjustable ball-joint outlet DN 40/DN 50
- 1 1/2" waste
- shatter-resistant plastic stand pipe, 100 mm

material:

polypropylene

c.p. ABS

Product No.	Description	Dimensions
170156	stand pipe, ABS chromed, 100 mm	100 mm