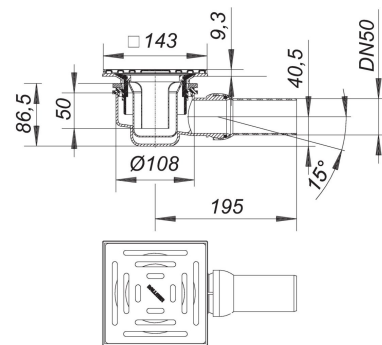


21. November 2019

DALLMER**shower drain type 48 KE, DN 50, 150 x 150 mm**

Product No. **480231**
 EAN: 4001636480231
 Discount group: 3



conforming to DIN EN 274/DIN 19541
 outlet DN 50 horizontal, with ball-joint, adjustable 0 - 15-degrees

specification:
 - removable trap insert

frame ABS, 143 x 143 mm
 grate 304 stainless steel, load class K 3 (300 kg)

For use with prefabricated shower-floors, minimum 20 mm thick. The outlet connector can be supplied in ABS to suit British Standard sizes and PE-HD conforming to DIN EN 1519. Please enquire.

Product No.	Description	Dimensions
501110	grate E 140, 140 x 140 mm	140 x 140 mm
160966	trap insert ORIO built 2004 - May 2010	