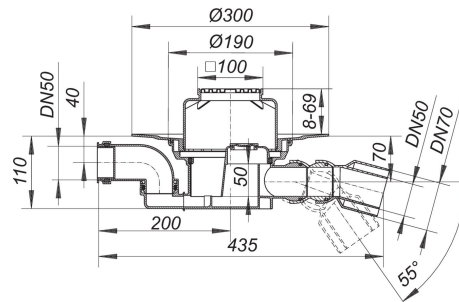


21. November 2019

**DALLMER****floor drain type 55 E, DN 50/DN 70, 100 x 100 mm**

Product No. **551153**  
 EAN: 4001636551153  
 Discount group: 3



conforming to DIN EN 1253  
 outlet DN 50/DN 70 horizontal, with double ball-joint, adjustable 0 - 55 degrees

## specification:

- DN 50 side inlet, swivelling 180 degrees
- height adjustable grating E 15
- trap with 50 mm water seal
- rodding eye\*
- temporary blanking plate

## material:

polypropylene  
 frame polypropylene, 100 x 100 mm, grate 304 stainless steel, load class K 3 (300 kg)

\* Access to trap and outlet via rodding eye.

DN 70 connects to BS4514 75 mm pipework with 880345 adaptor.

Flow rate tested to DIN EN 1253  
 (with 20 mm water over grate)

	Norm	DALLMER
DN 50	0.8 l/s	0.96 l/s
DN 70	0.8 l/s	0.87 l/s

Product No.	Description	Dimensions
-------------	-------------	------------

Dallmer GmbH + Co KG · Wiebelsheidestraße 25 · 59757 Arnsberg / Germany · Tel.: +49 2932 9616-0 · Fax: +49 2932 9616-222  
 www.dallmer.de · info@dallmer.de

Subject to modifications due to technical development, errors and misprints.

21. November 2019

**DALLMER**

551054	Floor drain body type 55, inlet DN 50, DN 50/DN 70	DN 50/DN 70
500519	frame E 15, 100 x 100 mm	100 x 100 mm
501011	grate E 90, 90 x 90 mm	90 x 90 mm
590015	screwed plug for 54, 55, 57, 57 AK, 58, 71	

Product No.	Description	Dimensions
590022	back flow seal S 15	
590091	centralising ring for drain bodies type 54, 55, 57, 58, 61	
591005	extension S 15	
591012	extension S 15, side inlet DN 40	
562005	raising piece type 550 DallBit S 15	
560001	raising piece type 550 with sealing kit S 15	
560018	raising piece type 550 without sealing kit S 15	
590015	screwed plug for 54, 55, 57, 57 AK, 58, 71	
560506	sealing kit S 15	
590046	trap insert for 54, 55	
790125	waterproofing collar S 15, EPDM, d: 500 mm	d: 500 mm
790118	waterproofing collar S 15, flexible PVC, d: 500 mm	d: 500 mm